



## Description

HDM-C series digital panel meter, 5 digit LED indicator and controller, is suitable for the temperature, humidity, pressure, flow, liquid level and other physical parameters measurement, display, alarm, transmission, communication. It is widely used in electric power, chemical industry, metallurgy, food processing, mechanical manufacturing and other fields.

## Feature

- Accuracy class 0.05, fast speed of measurement and control(5times/second).
- Display range: -19999 - 45000.
- 15 segments polyline correction function.
- Up to 2 independent alarm set-points (optional).
- 5 optional external power supply sources.
- 0.1% RDG basic accuracy.
- Front protection degree: IP65.
- RS485/R232 serial communication port.
- Universal power supply: 10-24VAC/DC and 100-240VAC.
- Optional communication, transmission and printing functions.



## Technical data

### Input

Measurements	Current, voltage, thermocouple, thermistor
Input signal	K, S, R, B, N, E, J, T, PT100, Cu100, Cu50, BA1, BA2, G53; DC4-20mA, 0-10mA, 0-20mA, 0-5V, 1-5V, 0-10V, mV(customizable)
Frequency	50/60Hz
Display	4 1/2 DGT, 7 segments, height 14.2mm, colour: red
Display range	-19999 - 45000
Sampling rate	5times/s
Display refresh time	200ms
Basic accuracy	0.1% RDG

### Output

Alarm outputs	Up alarm, Down alarm, Upper deviation alarm, Lower deviation alarm, Absolute value alarm
Alarm	250VAC, 3A(Resistive loads)
Alarm point sensitivity	0-19999
Alarm delay	0-20s
Response time	500ms
Output channels	2 type SPDT
Output signal	4-20mA, 0-10mA, 0-20mA or 0-5V, 1-5V, 0-10V, -5-+5V, -10-+10V
Accuracy	± 0.2% FS
Response time	10 ms
Resolution	1/3000
Load capacity	600Ω
Communication	TC ASCII RS232/RS485, Modbus-RTU RS232/RS485
Communication rate	2400, 4800, 9600, 19200bit/s
Communication address	0-99

### Supply

Power supply	100-240VAC± 10% 50/60Hz or 10-24VAC/DC± 10% 50/60Hz
Power source	24V± 5% 50mA/100mA, 12V± 5% 50mA/100mA, 10V± 2%, 30ppm, 100mA
Energy consumption	7VA(100-240Vac)/5VA(10-24Vac/dc)

### General

Withstand voltage	At 2000 VAC 50/60 Hz for 1 minute
Impedance	100MΩ
Immunity	IEC61000-4-2, IEC61000-4-4, IEC61000-4-5
Degree of protection	Front: IP65
Digital filtering coefficient	1-20
Operating temperature	0 to 50° C(32 to 122° F)
Storage temperature	-10 to 60° C(14 to 140° F)
Insulation reference voltage	300 VRMS to ground(500V input)
Dielectric strength	4000 VRMS for 1minute
Overall Dimensions	96 x 48 x 112mm, 1/8 DIN
Material	ABS
Tightening torque	Max. 0.5Nm
Weight	approx 340g

All technical characteristics are subject to change without previous notice.

Via Ernesto Lugaro 15, 10126 Torino - Italia

Fax: +39 011 0928400 Tel. Standard: +39 011 0928432 E-mail: sales@chordn.com

## Software functions

Password value range	0-9999
Measurement selection	Depending on the input
Decimal point position	Programmable within the displayed range
Filter operating range	0-9999
Filtering coefficient	1-20
Print unit	0-15

## Print unit

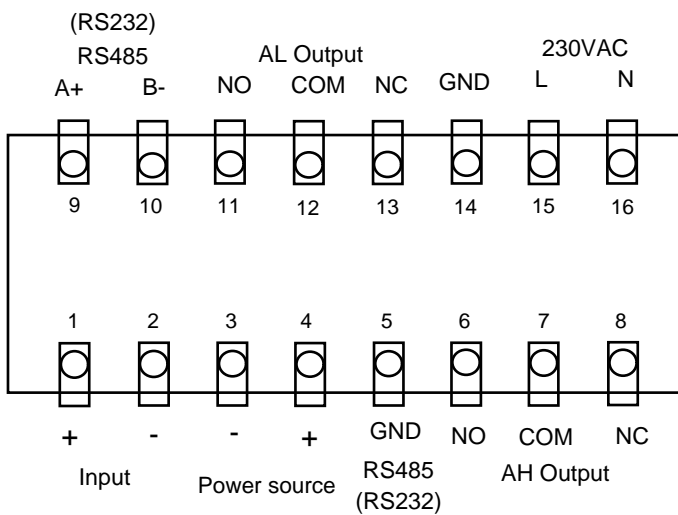
Print communication rate: 9600bit/s

Print unit: 0-15

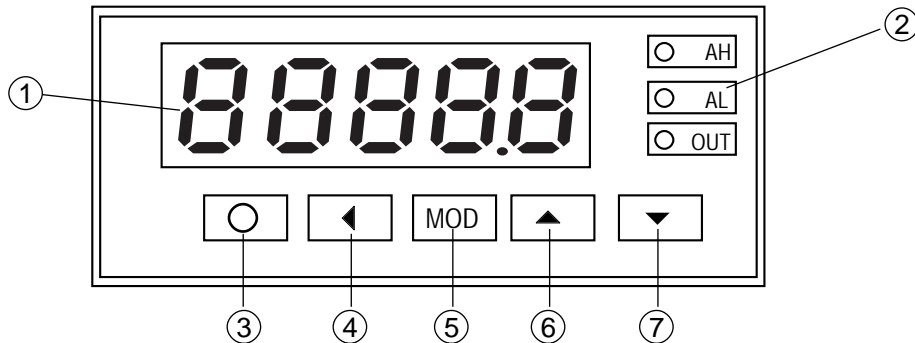
0	1	2	3	4	5	6	7
°C	%RH	MPa	kPa	Pa	kN	N	kg
8	9	10	11	12	13	14	15
mm	m	m/h	V	A	t/h	1/m	ppm




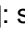

Other units please contact us.

## Wiring diagram

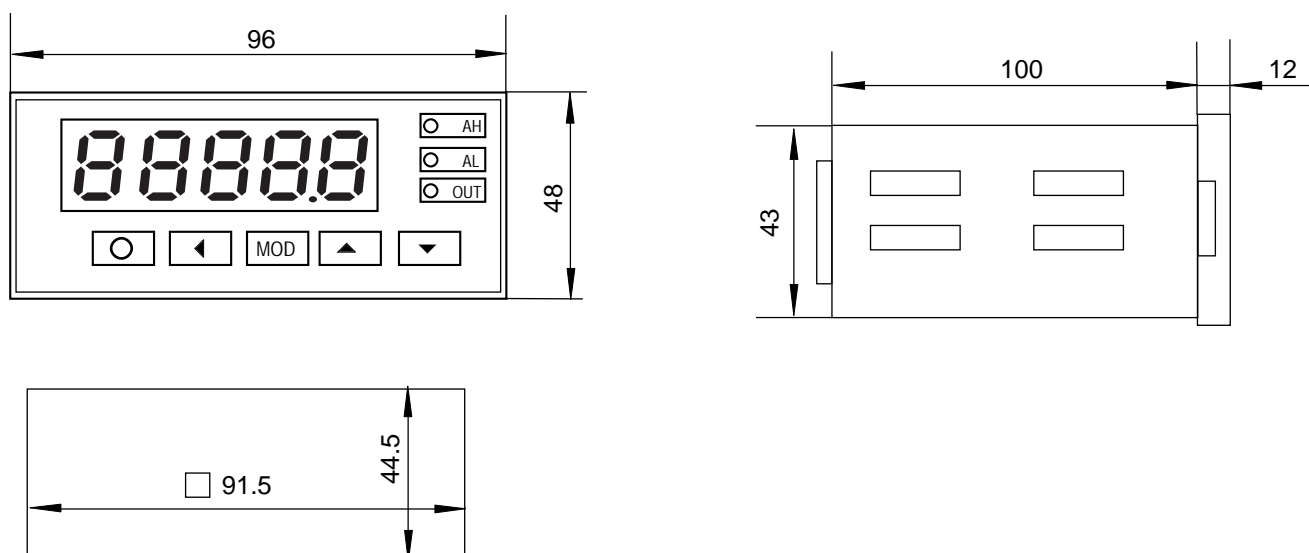


## Front panel description



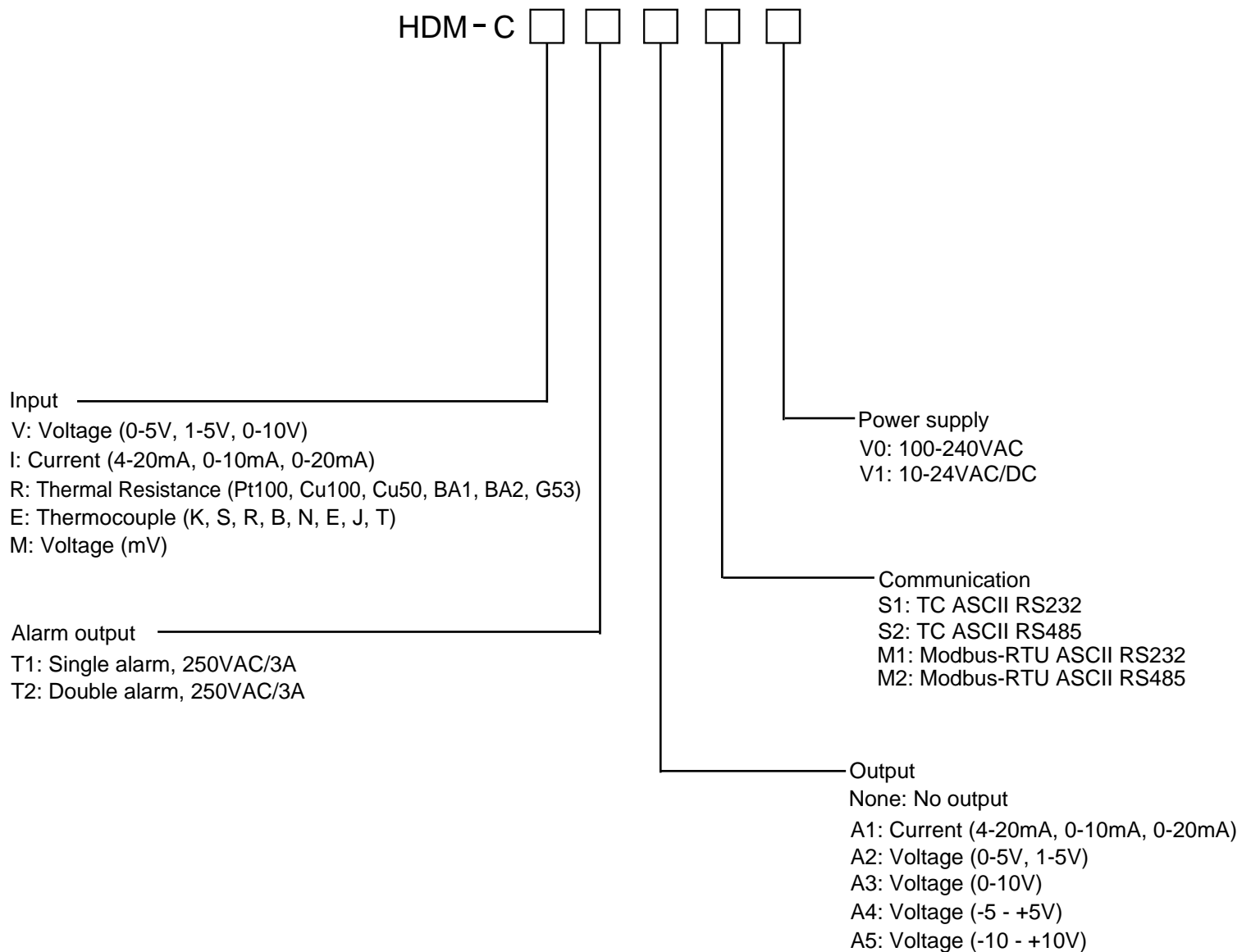
- ① Display window: display measured value.  
display parameter symbol and parameter value in parameter setting state.
- ② LED indicator: indicating alarm status of each alarm point.
- ③ Setting key  : in measurement state, hold the key for more than 2 seconds to enter the setting state.  
in setting state, it will display parameter symbol, hold the key for more than 2 seconds to enter the next parameter or return to measurement state.
- ④ Left button  : invalid in the measurement state.  
in setting state: 1)bring up original parameter value.  
2)move the modified bit.
- ⑤ Enter key  : invalid in measurement state.  
in setting state, the modified parameter values are stored.
- ⑥ + key  : start printing in measurement state.  
in setting state, add parameter value to change the setting type.
- ⑦ - key  : in setting state, decrease parameter value to change the setting type.

## Dimensions and Panel Cut-out(mm)





## Model description



### NOTE:

1. Please do not use the product on atomic energy equipment, medical equipment and other life-related equipment.
2. Please do not use the product in the place where is inflammable and explosive gas.
3. Not allow to install directly above the instruments with high heat, such as heater, transformer, high power resistor, etc.

