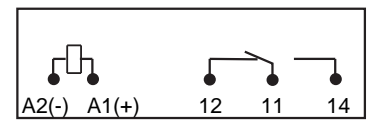




## CR41 series relays

- Miniature relays
- High sensitive
- 1NC-6A contact and 1CO-6A contact
- One pole normally open contact and one pole changover contacts
- Pin type termination
- PCB mounting(optional on the socket)
- DC coils
- Environmental friendly product (RoHS compliant)



### Contact specification

Contact configuration	1NC(SPST-NO)	1CO(SPDT)
Rated voltage	250VAC/30VDC	250VAC/30VDC
Rated current	6A	6A
Rated load AC-1/DC-1	1500VA/180W	1500VA/180W
Contact resistance	100mΩ	100mΩ
Standard contact material	AgSnO <sub>2</sub> , AgNi	AgSnO <sub>2</sub> , AgNi
Mechanical life	1x10 <sup>7</sup>	1x10 <sup>7</sup>
Electrical life	3x10 <sup>4</sup>	3x10 <sup>4</sup>

### Coil specification

AC Rated voltage (Un) (50-60Hz)	---	
DC Rated voltage (Un)	5V - 6V - 9V - 12V - 18V - 24V - 48V - 60V	
Rated power	5VDC-24VDC:170mW	48VDC,60VDC:210mW
Pick-up voltage (DC)	0.75Un	0.75Un
Drop-out voltage (DC)	0.05Un	0.05Un

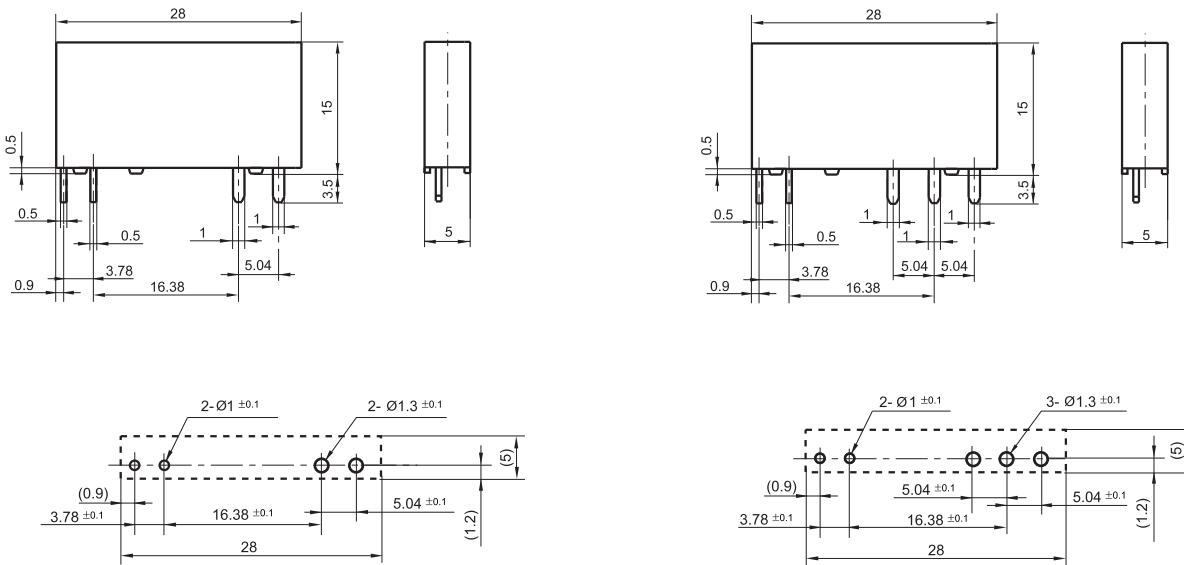
### Characteristics

Insulation resistance	100MΩ (500VDC)	100MΩ (500VDC)
Dielectric Strength (Between coil and contact)	4000VAC 1Min	4000VAC 1Min
Dielectric Strength (Between open contacts)	1000VAC 1Min	1000VAC 1Min
Operate time	8ms	8ms
Release time	4ms	4ms
Shock resistance functional	49m/s <sup>2</sup>	49m/s <sup>2</sup>
Shock resistance destructive	980m/s <sup>2</sup>	980m/s <sup>2</sup>
Vibration	10-55HZ/1mm	10-55HZ/1mm
Ambient temperature	-40°C to +85°C	-40°C to +85°C
Ambient humidity	5%-85%RH, +40°C	5%-85%RH, +40°C
Weight	approx.5g	approx.5g

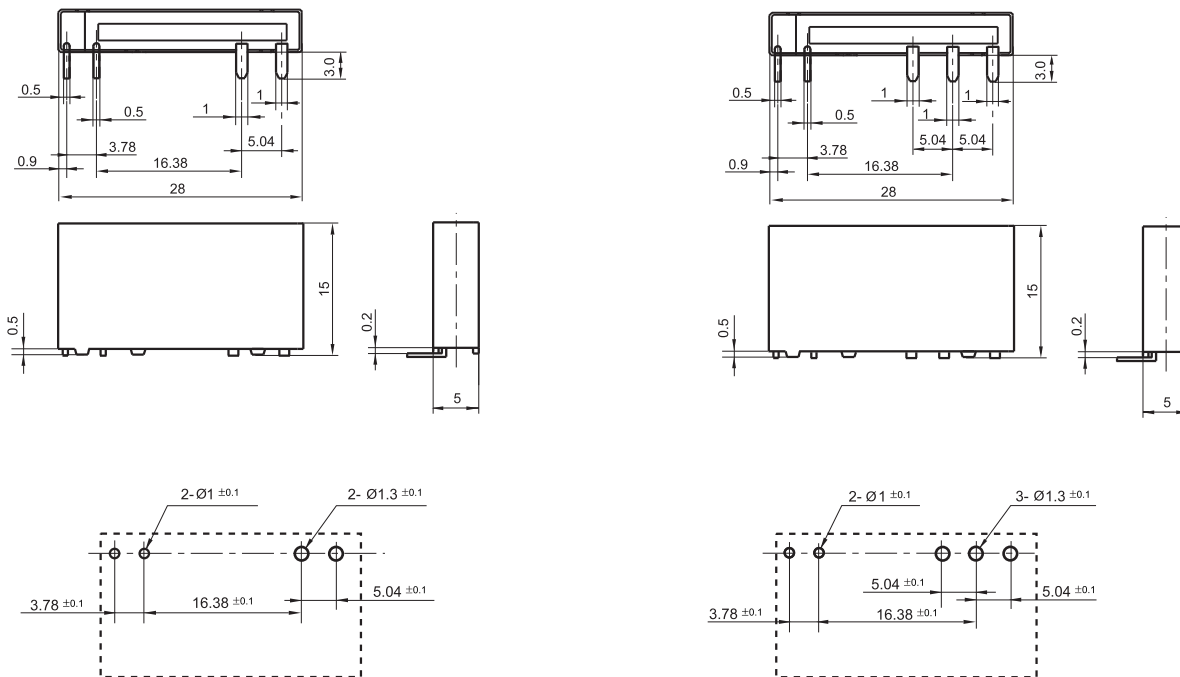
## Characteristics of relays

### Dimension(mm)

#### Vertical version



#### Flat pack version



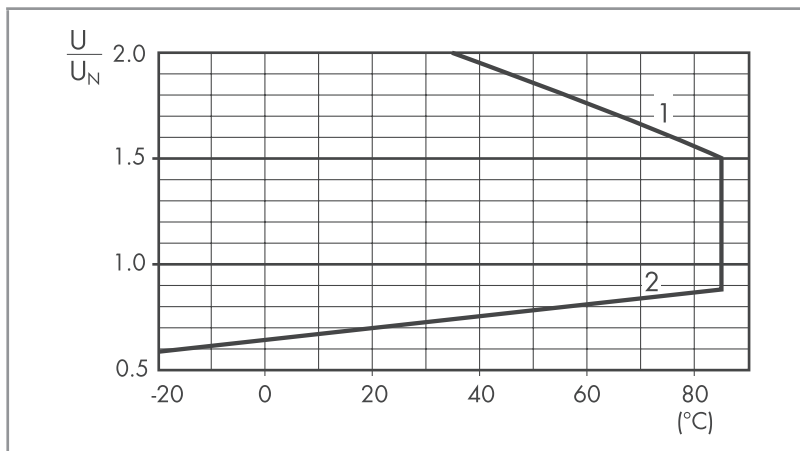
## Characteristics of relays

### Coil Information (20°C)

Rated voltage (VDC)	Pick-up voltage (VDC)	Permitted coil voltage (VDC)	Drop-out voltage (VDC)	Coil resistance ( $\Omega$ )
5	3.75	7.5	0.25	147.0 $\pm$ 10%
6	4.50	9.0	0.30	212.0 $\pm$ 10%
9	6.75	13.5	0.45	467.0 $\pm$ 10%
12	9.00	18.0	0.60	848.0 $\pm$ 10%
18	13.50	27.0	0.90	1906.0 $\pm$ 10%
24	18.00	36.0	1.20	3390.0 $\pm$ 10%
48	36.00	72.0	2.40	10600.0 $\pm$ 10%
60	45.00	90.0	3.00	16600.0 $\pm$ 10%

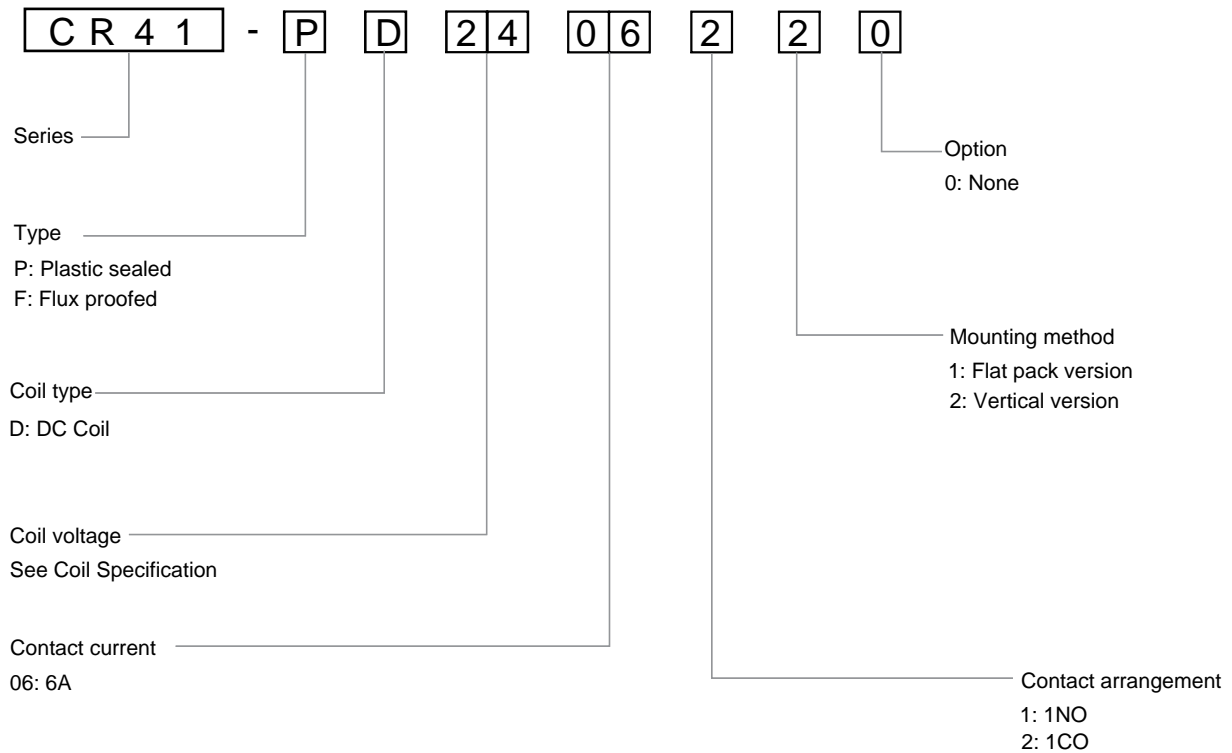
- DC coil are most suitable for working at rated voltage.

### DC coil operating range contrast ambient temperature



- 1 - Max. permitted coil voltage.
- 2 - Min. pick-up voltage with coil at ambient temperature.

## Ordering information



■ The default contact material of the relay is AgSnO<sub>2</sub>. If you need the contact made of AgNi material, please indicate it clearly at the end of the order.