

European Cylindrical Style AG22 690V: 10-125A



Description

Chordn gG fuse-links cover a wide range of physical sizes and ampere ratings for 690VAC for protection in electrical distribution circuits and various industrial applications. Most ratings are available in size 22x58 with an optional indicator, size 22x58 is also available with striker. All cylindrical fuse-links have ceramic bodies and silver-plated contacts. Cylindrical fuse-links gG are used for the protection of cables, motors and LV-networks.

Ratings

Volts: 690 VAC
Amps: 10 - 125 A
I.R. AC: 100 kA
Speed/Characteristic: gG
Body Style: Cylindrical
Material Body: Ceramic
Contact Materials: Silver plated copper
Environmental RoHS Compliant

Standards

I EC 60269-1
I EC 60269-2

Features and Benefits

Reduced size
Full range protection
Visual indication of fuse operation
Safest and most reliable protection system

Typical Applications

gG type for protection of line, cable against overload and short circuit in various industrial application and electrical distribution circuits.

European Cylindrical Style AG22 690V: 10-125A

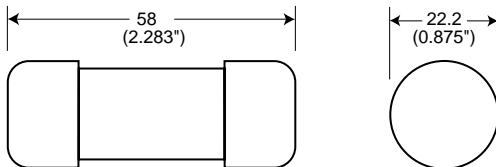
Catalog Numbers

Electrical Characteristics			Ordering Information			Dimensions
Size	Rated Current	Watts Loss	Part number Without indicator	Part number With indicator	Carton qty	Figure Number
22 x 58mm ($\frac{7}{8}$ " x $2\frac{1}{2}$ ")	10	1.50W	AG22-10A	AG22-10AI	10	Fig.1
	12	1.80W	AG22-12A	AG22-12AI		
	16	2.10W	AG22-16A	AG22-16AI		
	20	2.70W	AG22-20A	AG22-20AI		
	25	3.60W	AG22-25A	AG22-25AI		
	32	3.70W	AG22-32A	AG22-32AI		
	40	4.50W	AG22-40A	AG22-40AI		
	50	5.20W	AG22-50A	AG22-50AI		
	63	6.90W	AG22-63A	AG22-63AI		
	80	7.80W	AG22-80A	AG22-80AI		
	100	8.60W	AG22-100A	AG22-100AI		
	125	11.40W	AG22-125A	AG22-125AI		

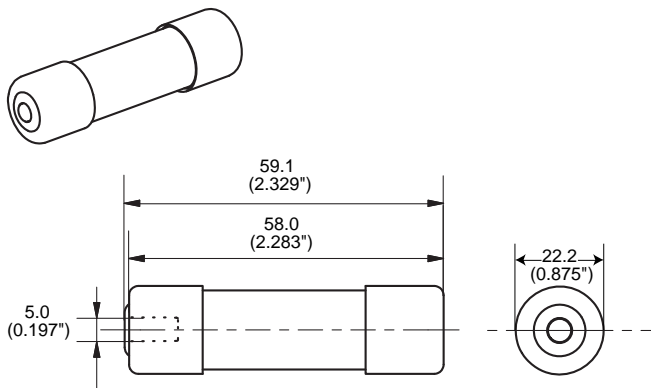
- Watts loss provided at rated current.
- CE Component Acceptance: 10 - 125A.

Dimensions

Without Striker



With Striker



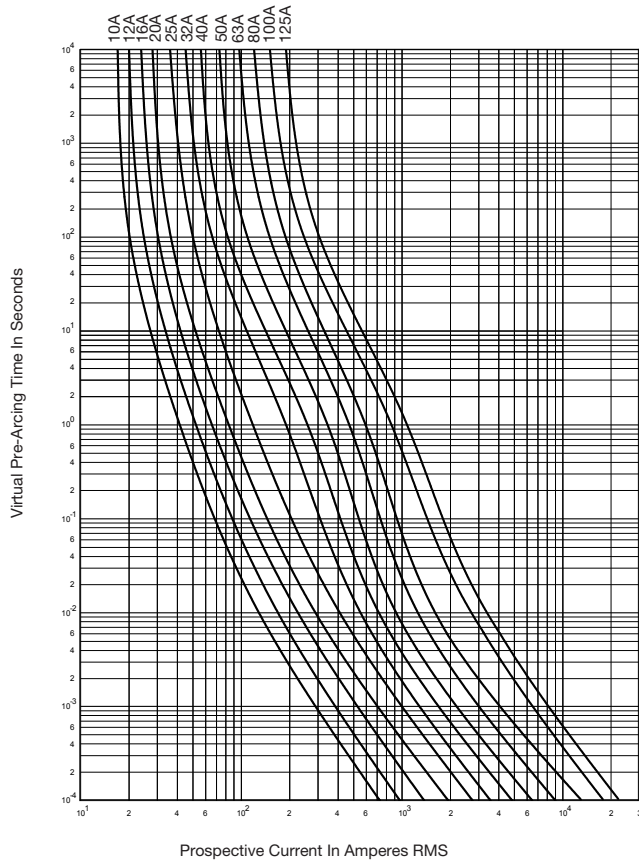
Dimension in mm.
1mm = 0.0394" 1" = 25.4mm

Fig.1

European Cylindrical Style AG22 690V: 10-125A

AG22 690V: 10-125A

Time-Current Curve



Peak Let-Through Curve

