

European Cylindrical Style AM22 690V: 10-125A



Description

Chordn aM fuse-links cover a wide range of physical sizes and ampere ratings for 690VAC for protection in various transformers circuits and various industrial applications. Most ratings are available in size 22x58 with an optional indicator, size 22x58 is also available with striker. All cylindrical fuse-links have ceramic bodies and silver-plated contacts. Cylindrical fuse-links aM are used for the protection of motors.

Ratings

Volts: 690 VAC
Amps: 10 - 125 A
I.R. AC: 100 kA
Speed/Characteristic: aM
Body Style: Cylindrical
Material Body: Ceramic
Contact Materials: Silver plated copper
Environmental RoHS Compliant

Standards

I EC 60269-1
I EC 60269-2

Features and Benefits

Reduced size
Optional indicator
Visual indication of fuse operation
The safest and most reliable protection system

Typical Applications

aM type for protection of motors, transformers and other loads with inrush currents.

European Cylindrical Style AM22 690V: 10-125A

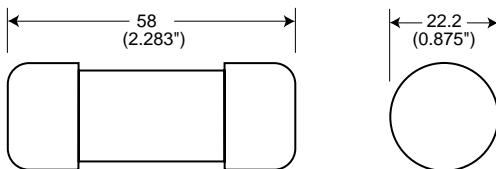
Catalog Numbers

Electrical Characteristics			Ordering Information			Dimensions
Size	Rated Current	Watts Loss	Part number	Part number	Carton qty	Figure Number
22 x 58mm ($\frac{7}{8}$ " x 2 $\frac{1}{2}$ ")	10	0.74W	AM22-10A	AM22-10AI	10	Fig.1
	12	0.83W	AM22-12A	AM22-12AI		
	16	1.21W	AM22-16A	AM22-16AI		
	20	1.29W	AM22-20A	AM22-20AI		
	25	1.53W	AM22-25A	AM22-25AI		
	32	2.13W	AM22-32A	AM22-32AI		
	40	3.40W	AM22-40A	AM22-40AI		
	50	3.48W	AM22-50A	AM22-50AI		
	63	4.46W	AM22-63A	AM22-63AI		
	80	5.86W	AM22-80A	AM22-80AI		
	100	6.61W	AM22-100A	AM22-100AI		
	125	8.42W	AM22-125A	AM22-125AI		

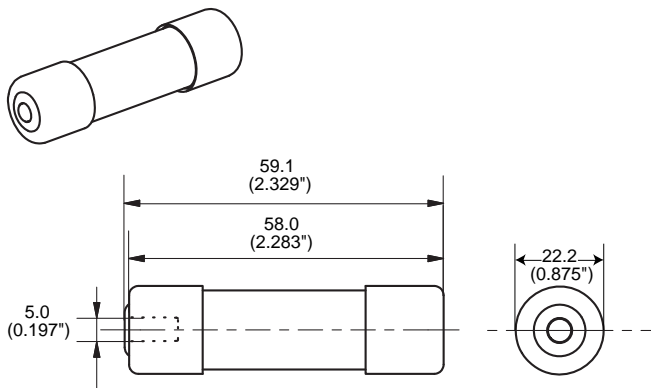
- Watts loss provided at rated current.
- CE Component Acceptance: 10 - 125A.

Dimensions

Without Striker



With Striker



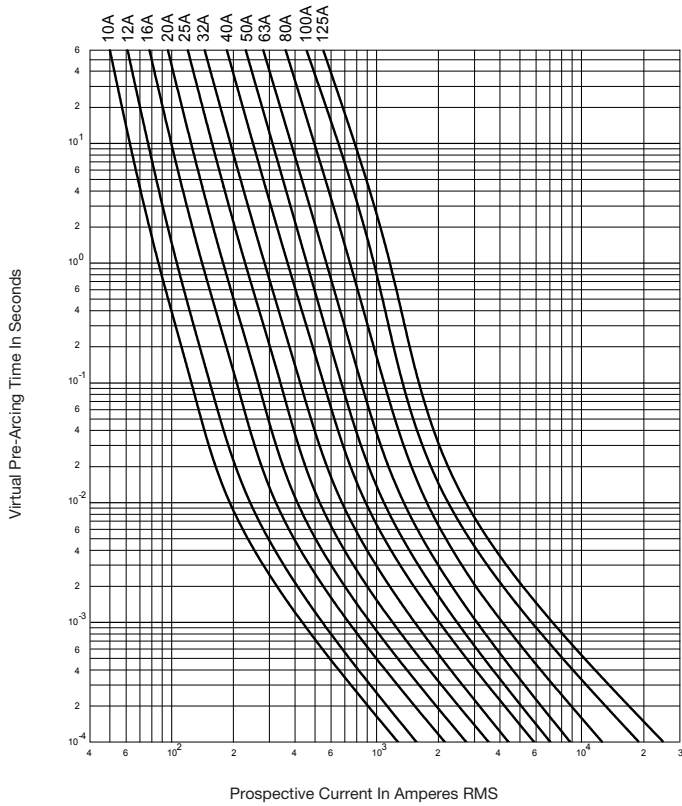
Dimension in mm.
1mm = 0.0394" 1" = 25.4mm

Fig.1

European Cylindrical Style AM22 690V: 10-125A

AM22 690V: 10-125A

Time-Current Curve



Peak Let-Through Curve

